

---

# YOUR TAPAS ALL BOXED UP

---

Version 1.0

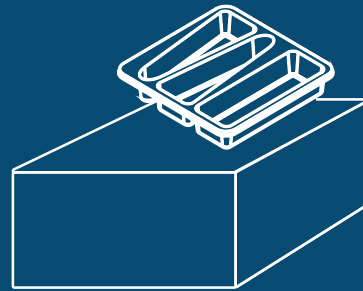


# HOW TO CREATE YOUR OWN TAPAS BOX:



## **STEP 1**

Choose your  
content



## **STEP 2**

Select your  
packaging



## **STEP 3**

Create your  
design

# STEP 1: TRAY COMPONENTS

Make a selection of 3 components per tray.

## MEAT SELECTION



Serrano ham



Sliced fuet natural



Sliced fuet chorizo



Spanish kabanos



Sliced iberico fuet



Longaniza Fuet Sticks



Mini fuet



Chorizo



Turkey salami



Beef salami



Salchichon

## BREAD & CRACKER SELECTION



Flat crackers



Rosemary crackers



Breadsticks / Pico's



Pretzels

## CHEESE SELECTION



Manchego D.O.P cheese



Matured Dutch cheese



Matured (Curado) Spanish Cheese



Iberico cheese



Spanish Sheep Cheese (Oveja)



Italian provolone

## FRUITS & VEGETABLES SELECTION



Turkish apricots



Mixed olives



Green olives

*\*The product photos are for reference purpose only*



## SINGLE PACKED ITEMS - SMALL

In addition to the tray components, you can select 2 items to finalise your customised box.

### SPREADS IN CUPS SELECTION



Hummus



Tomato bruschetta



Black olive tapenade

### BREAD & CRACKER SELECTION



Mini Grissini's



Rice crackers



Delsler crackers



Pretzels

## SINGLE PACKED ITEMS - LARGE

In addition to the tray components, you can select 1 items to finalise your customised box.

### NUTS SELECTION



Almonds



Black pepper peanuts



Tuscan cashews

### SNACK SELECTION



Mini cheese sticks



Mini cheese crisps



Parmesan bites



Mini snacks



Green olives



Country mix olives



Marinated fennel olives



Marinated thyme olives

### HEALTHY SELECTION



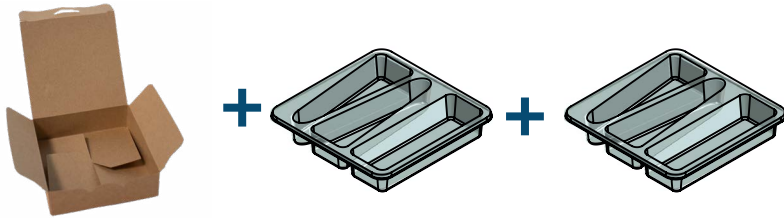
Veggie mix



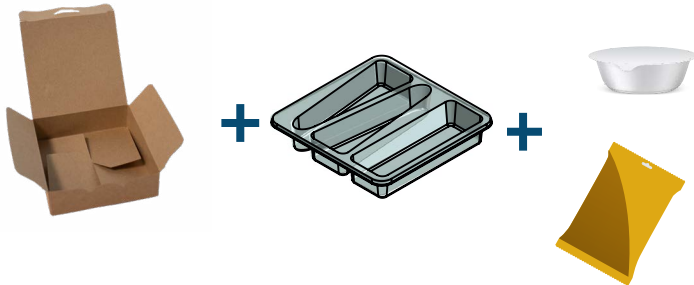
Snack mix

## SMALL BOX

**OPTION 1:**  
2 x 3 compartment trays

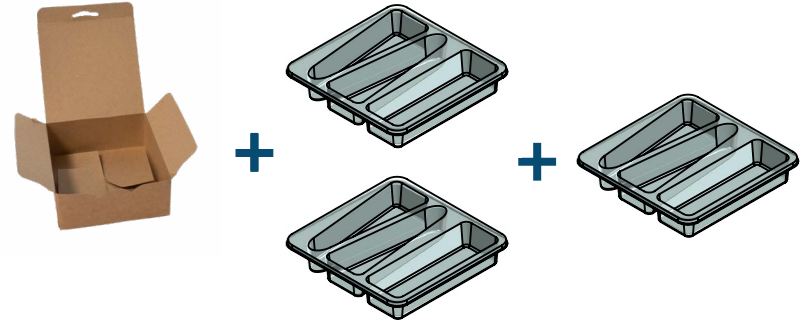


**OPTION 2:**  
1 x 3 compartment tray  
2 x single packed items

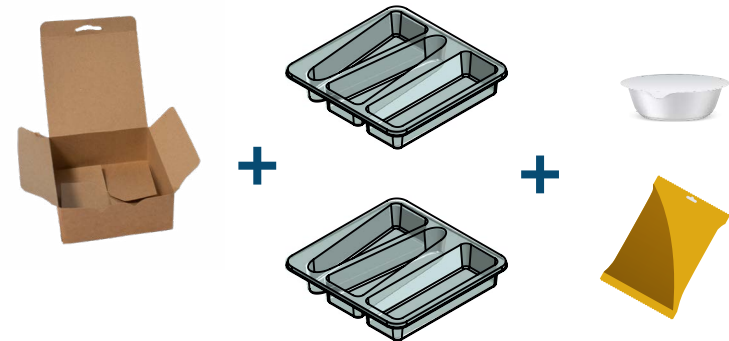


## LARGE BOX

**OPTION 3:**  
3 x 3 compartment trays



**OPTION 4:**  
2 x 3 compartment trays  
2 x single packed items



# PERSONALIZE YOUR DESIGN

To finalize your Tapas Box you will need to choose what kind of artwork you would like.

You can choose from a banderole which goes around the box or a sticker which will be placed on top. For the artwork you can:

1. Create your own personalized design
2. Foodcase can create a design on your behalf
3. Use the standard Foodcase design

**A SMILE IN A BOX!**





# WE ARE FOODCASE

Want to know more?



**Foodcase International BV**

Bronland 12L-1  
6708WH Wageningen  
The Netherlands

Wageningen University Campus



+31(0) 317 450 604



info@foodcase.nl



www.foodcase.nl



FOODCASE

international